

FRAMELESS MIRROR BI-FOLD

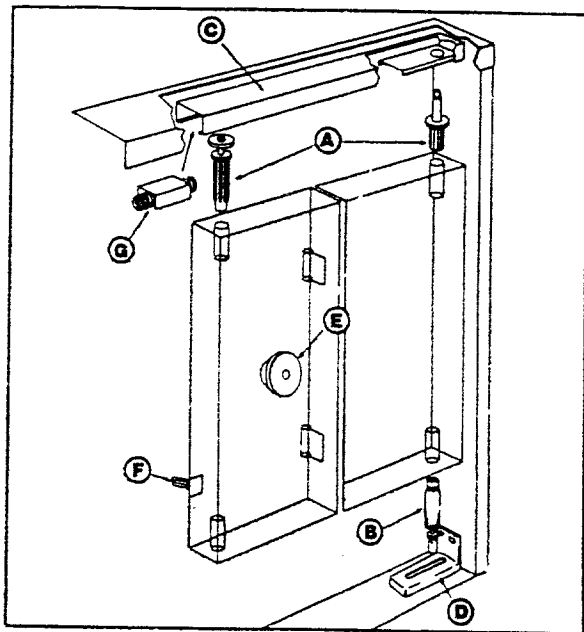
INSTALLATION INSTRUCTIONS

S24462

Series BF30

STANLEY
COMMERCIAL
HARDWARE

New Britain, Connecticut



Step 1 – Insert top pivots (A) into pre-drilled holes in top of door panels. Insert bottom pivot (B) into pre-drilled hole at bottom edge of pivot door panel at the jamb side of the opening.

Step 2 – Fasten track (C) at top of opening on header using long screws provided. Fasten jamb bracket (D) in line with track on jamb side of opening, making sure that base of bracket rests firmly on the floor.

If optional slide guide is used, snap slide guide (H) into middle of track.

Step 3 – Install door panels by inserting the top pivot at the pivoting side of door into track bracket. With top pivot inserted, lift upward on panels and position bottom pivot into jamb bracket on floor. Let bottom pivot sit onto jamb bracket firmly with knurled teeth engaged.

Depress guide pivot and position under track and release so guide pivot is securely positioned in track (or optional slide guide).

Step 4 – Adjust door height by slightly lifting panels and turning threaded stem of bottom pivot. Seat pivot into jamb bracket at desired height.

Step 5 – Adjust door horizontally by altering position of bottom pivot in jamb bracket. Lift door slightly and move bottom pivot in either direction as necessary to bring door plumb with opening. Check to ensure guide pivot does not disengage during door operation, and door edge does not rub jamb. If necessary, adjust track bracket by loosening bracket screw and slide bracket within the track. Tighten at desired location.

Step 6 – Mount knobs (E) in pre-drilled holes or at center of guide door; approximately 36 inches from floor.

Step 7 – (For 4 Panel Sets Only) – Mount aligners (F) on back side of guide door.

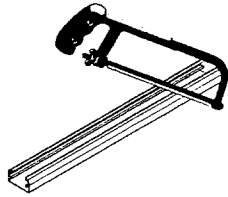
Step 8 – Insert snugger (G) into track at guide door side of opening.

INSTALLATION INSTRUCTIONS

FRAMED MIRROR BI-FOLD

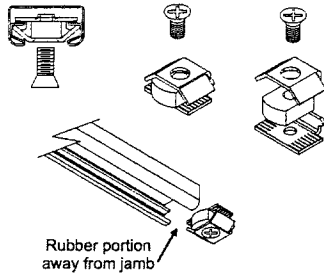
1A. Trim Tracks to Fit Opening

Using a fine tooth hacksaw, cut the top and bottom tracks $1/16"$ (2mm) less than the width of the opening if they do not fit.



1B. Assemble Snagger

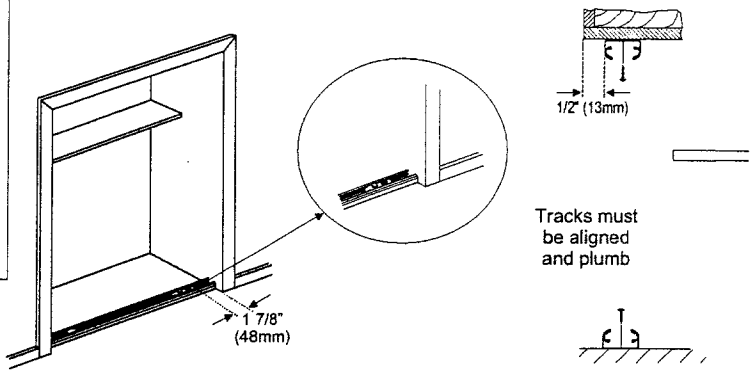
Insert snagger into top track at opposite end of pivot bracket.



Rubber portion away from jamb

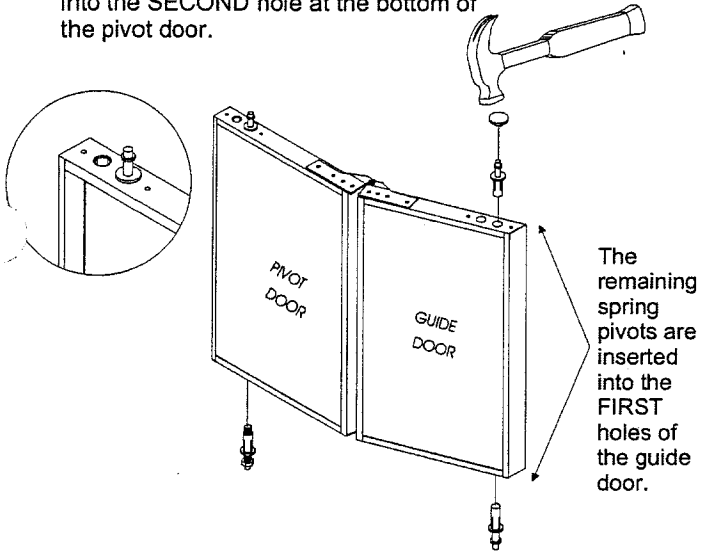
2. Install Top and Bottom Tracks

Screw tracks in at a minimum of $1/2"$ (13mm) in from the jamb face. This will ensure that the door does not protrude from the opening when it is closed. Be sure that the pivot brackets [$1 7/8"$ (48mm) from the wall] and roll guide and snagger have been installed in the tracks prior to installation.



3. Insert Pivots

A spring pivot is inserted into the SECOND hole at the top of the pivot door. The bottom pivot is used for the height adjustment and must be inserted into the SECOND hole at the bottom of the pivot door.

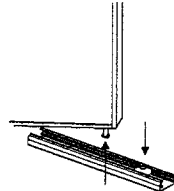
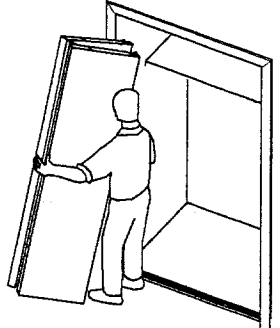


The remaining spring pivots are inserted into the FIRST holes of the guide door.

4. Install Doors

Insert the spring pivot on the top of the pivot door into the pivot bracket. Then place the bottom pivot into the bracket of the bottom track.

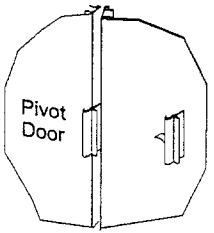
Note:
For heavier doors you may prefer to insert the bottom pivot first.



Close the door so that it is slightly ajar. Then depress the pivots in the guide door and snap the pins into the top and bottom roll guides.

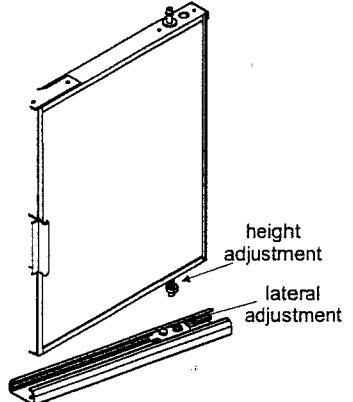
5. Attach Pull

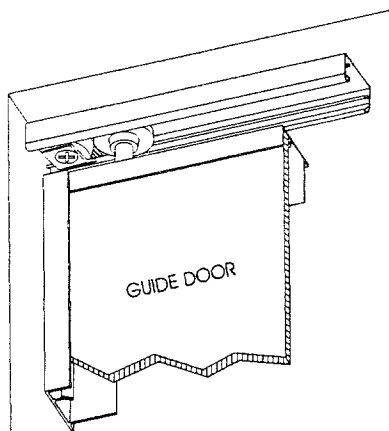
Remove the plastic film from the stiles. If necessary, clean the stile with isopropyl rubbing alcohol (99%) where the pull is to be attached. Using double sided tape, attach the pull to the pivot door at the desired height [approximately 40" (1016mm)].



6. Final Adjustments

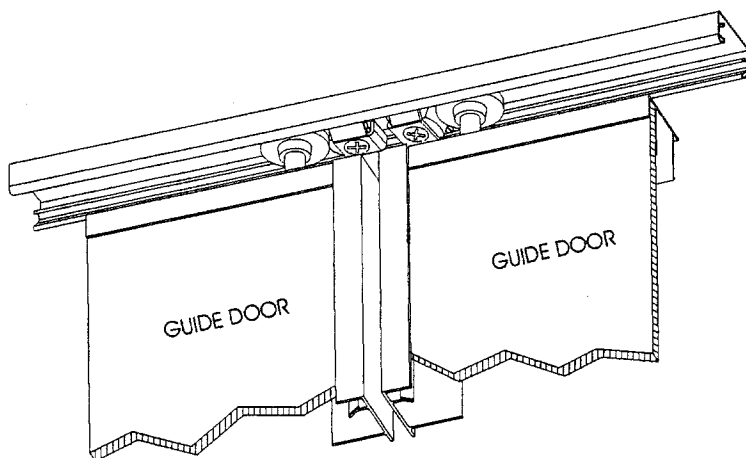
Both the top and bottom pivot brackets can be adjusted laterally. Height adjustment is achieved by lifting the door slightly and turning the bottom pivot.





7. Adjust Snugger to Fit Opening - One Door

With door in closed position, slide snugger up against the roll guide. While maintaining pressure against the roll guide, tighten snugger. Door should close with a light snap.



7. Adjust Snugger to Fit Opening - Two Doors

With one door in the closed position, slide the snugger up against the roll guide. While maintaining pressure against the roll guide, tighten snugger. Door should close with a light snap. Repeat procedure for other door.

Cross-Sectional Layout of Installed Doors

**Option:
High Bifold Track**

